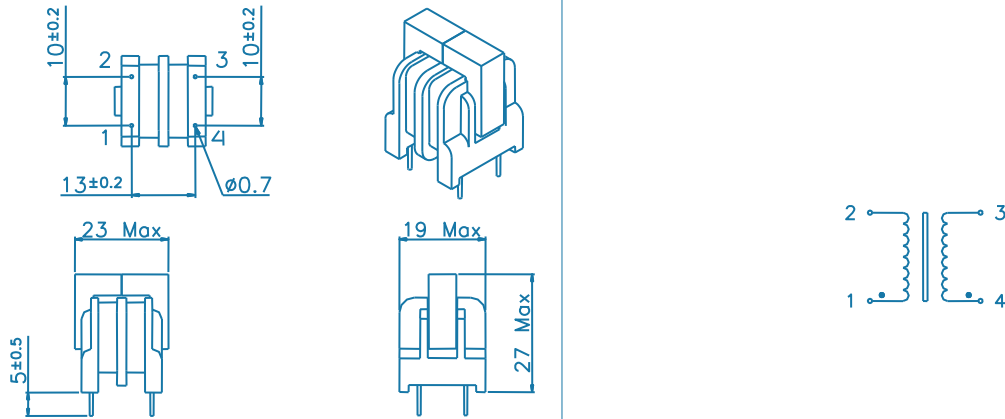


Type <b>VERTICAL</b>	Size <b>U16</b>	Current <b>0.75 to 3.3 A</b>	MYRRA P/N <b>74310 to 74315</b>
-------------------------	--------------------	---------------------------------	------------------------------------

Product designation

## COMMON MODE CHOKE - U16

### MECHANICAL CHARACTERISTICS - PINOUT



PCB recommended drilling diameter : 1.1 mm

### ELECTRICAL CHARACTERISTICS

At 25 °C

MYRRA P/N	Common mode inductance (min. - max.)	Rated current	Resistance (per winding)	Differential mode inductance (min.)	Resonance frequency (min.)
<b>74310</b>	22 ~ 37 mH	0.75 A <sub>rms</sub>	1.0 Ω max.	230 μH	170 kHz
<b>74311</b>	15 ~ 25 mH	0.90 A <sub>rms</sub>	0.75 Ω max.	150 μH	210 kHz
<b>74312</b>	10 ~ 17 mH	1.1 A <sub>rms</sub>	0.44 Ω max.	100 μH	280 kHz
<b>74313</b>	4.7 ~ 8.0 mH	1.5 A <sub>rms</sub>	0.24 Ω max.	50 μH	440 kHz
<b>74314</b>	2.2 ~ 3.7 mH	2.3 A <sub>rms</sub>	0.095 Ω max.	20 μH	650 kHz
<b>74315</b>	1.0 ~ 1.7 mH	3.3 A <sub>rms</sub>	0.046 Ω max.	10 μH	1000 kHz

### REMARKS

RoHS compliant  
 UL94 V-0 materials  
 Class B  
 Ambient temperature: 50 °C max.  
 1.5 kV hi-pot between windings